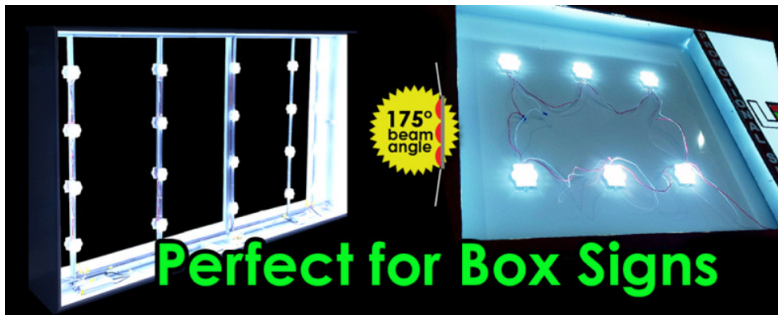


Specifications

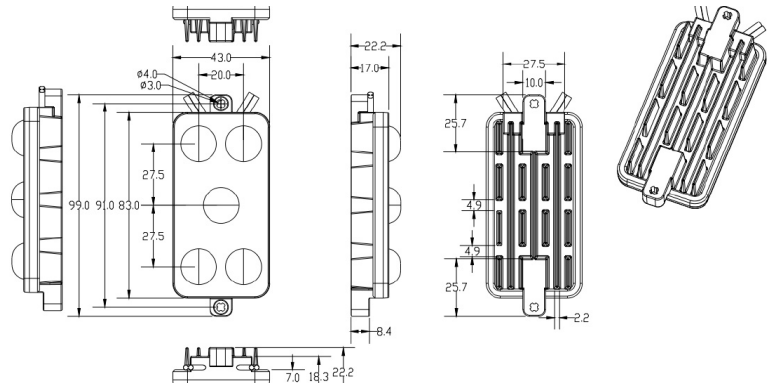
SKU	: 2319
Beam Angle	: 175°
Color	: Cool White – 9500k
Power Consumption	: 5w / module
Brightness	: 450lm / module
LED Type	: SMD 2835
Driving Mode	: Constant voltage
Warranty	: 5 yrs
Max. Connection	: 20 pcs/line
Certification	: RU
Waterproof Rating	: IP67
LED Life Span	: 50,000 hrs
Required Power Supply	: 150w power supply is recommended for 1 bundle of led modules.
Installation Method	: Permanent 3m type applied. No silicone job necessary if applied on clean surface



Applications



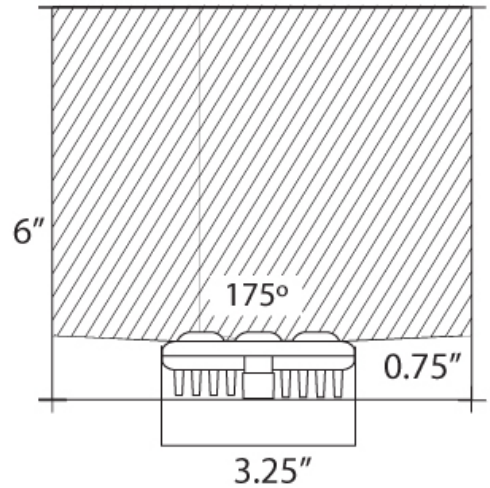
Dimensions



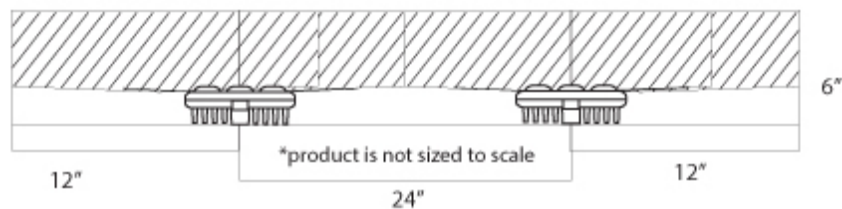
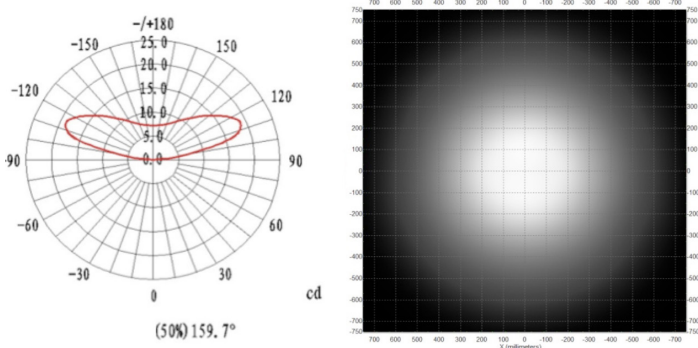
Installation Guide

Project	Sign specification			
	Depth H (mm)	L X W H (mm)	Density (pcs/m ²)	Surface brightness (lux)
Optional plan	120	100 *100	9	1500-1800
Optional plan	150	100* 100	9	1365-1500

Details



Light Diagram & Light Distribution

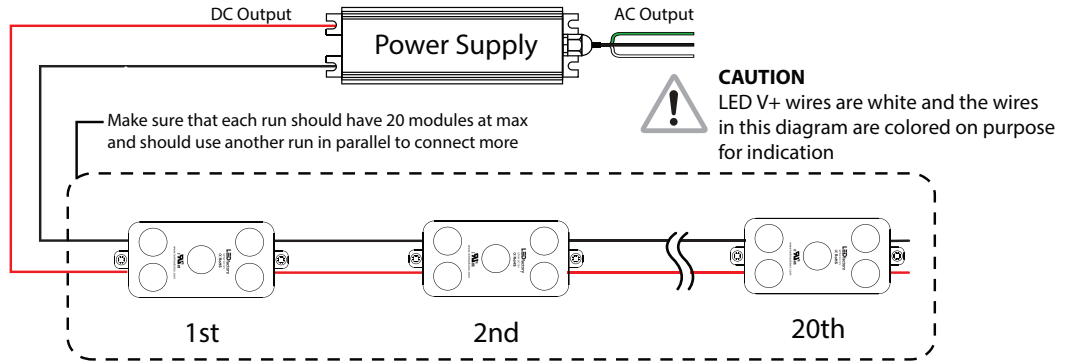




CAUTION

Keep extension lead wires as short as possible. Refer to below table for specific length.

in Series



in Parallels

